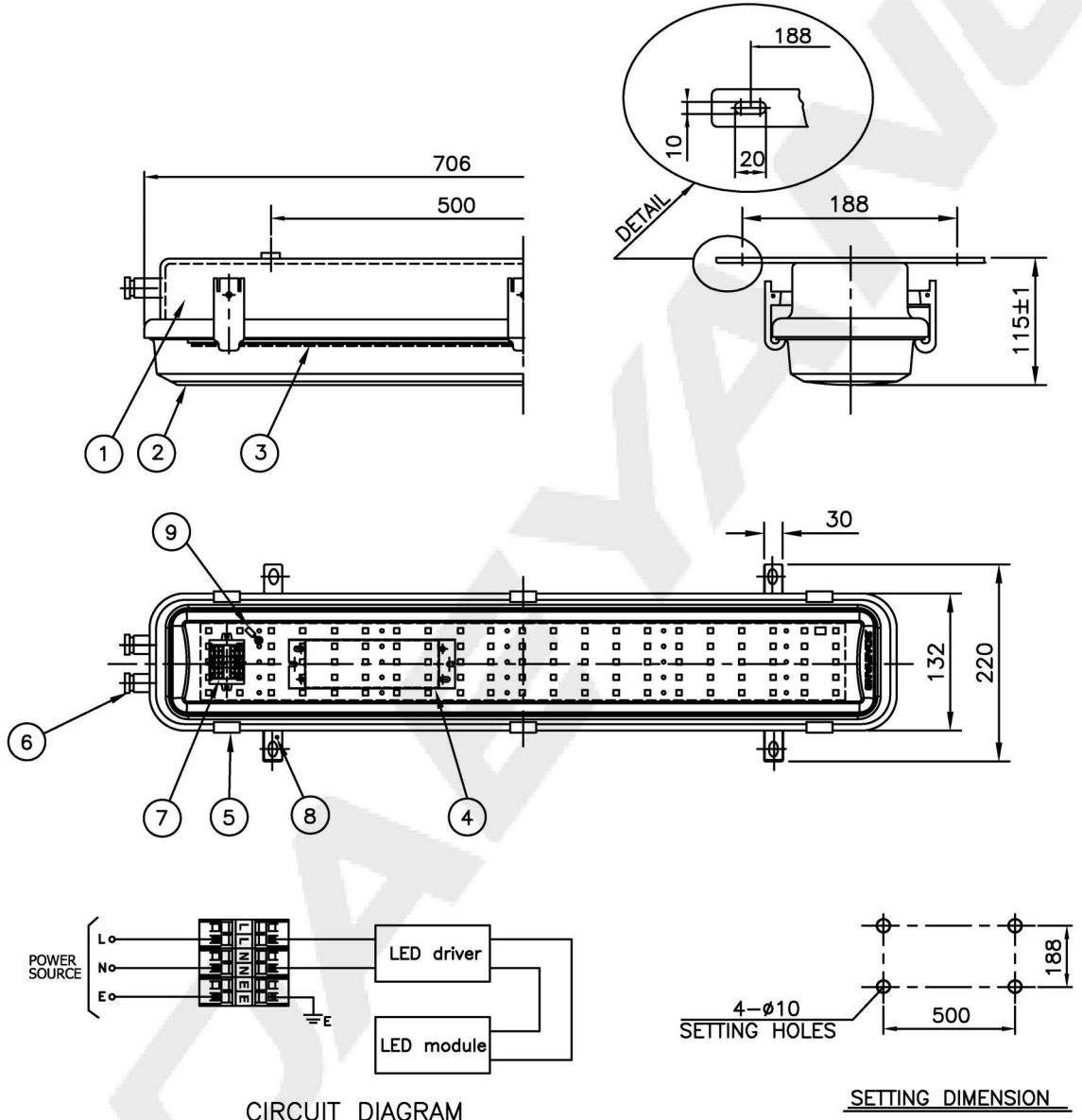


CAPACITY	SYMBOL/ SERIAL NO.	CIRCUIT DIAGRAM
AC100-240V, 50/60Hz		
25W		



9	INSIDE EARTH BOLT	STAINLESS STEEL 304	1	M4	5	LATCH	STAINLESS STEEL 316L	6	
8	OUTSIDE EARTH BOLT	STAINLESS STEEL 304	1	M5	4	LED driver	-	1	
7	TERMINAL BLOCK	-	1	CLAMPING 3P	3	LED module	-	1	5,000±300K
6	GLAND GLAND	-	2	ø12~ø14	2	GLOBE	POLYCARBONATE	1	MILKY
					1	BODY	STAINLESS STEEL 316L	1	
NO	NAME OF PARTS	MATERIAL	Q'TY	REMARKS	NO	NAME OF PARTS	MATERIAL	Q'TY	REMARKS

APPROVED	J. W. PARK	UNIT	MM	TITLE; LED CEILING LIGHT (SURFACE TYPE) FOR MARINE USE			
CHECKED	S. M. SON	SCALE	N/S				
DRAWING	B. K. HWANG	COLOR	N-9.3				
DATE	2022.01.18	IP	66/67				
DAEYANG				MODEL NO.	LEB125WS-0550UWNM2GLw14QC50	WEIGHT	3.3 Kg
				DWG NO.	LO1450135	SHEET NO.	16